



INNER TIE RODS / INNER TIE ROD KITS

The Inner Tie Rods / Inner Tie Rod Kits Section includes Inner Tie Rods / Inner Tie Rod Kits by Application, Inner Tie Rod Hardware Illustrations, Tools and Buyer's Guide. EMPI offers over 219 different part numbers covering over 1200 applications. Clearly the best coverage available in the marketplace today.

Bent or worn Inner Tie Rods can often cause improper wheel alignment, premature tire wear and front end shimmy. Complete with necessary Hardware, EMPI New Inner Tie Rods are simple to install.

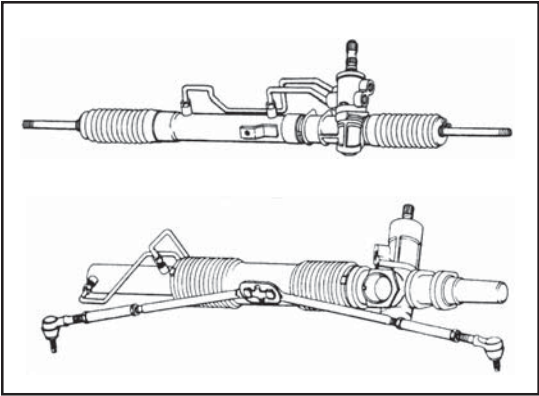
Packaging:

Product may be purchased in attractive EMPI 3-Color Display Packaging or in "Bulk". To order Bulk product, simply order by the part number shown in this catalog. If you wish to order Kits, just add a "K" to the part number.

Example:

- 88-4023-0 Inner Tie Rod, Ford Mustang, Bulk with Nut
(Individual poly bagged)
- 88-4023-K Inner Tie Rod Kit, Ford Mustang
(Individually Boxed with Nut and Hardware if applicable)

Inner Tie Rods



88-4037-K



88-4012-K



88-4081-K



88-4197-K

Complete with Nut and Hardware when applicable.

EMPI manufactures over 219 different Tie Rods in all sizesfor over 1200 applications.